



For sophisticated architectures

Companies, cultural institutions and public facilities increasingly want to systematically register the presence of employees and visitors in order to automate certain processes and increase the security of their premises. Whereby the design of the access control system plays a central role in more sophisticated work and experience environments. As one of the first stations on the way into the building it should underline the architectural aspiration and provide those entering with a friendly reception.

The mTripod pedestrian gate from Magnetic was designed for precisely these applications. With its extremely slender design,

its curved lines, and its unusual illumination at the base and on the frame edges it is ideal for integration in sophisticated architectures whilst, at the same time, the material mDure makes a unique impression on first contact. Instead of cold and hard like stainless steel, mDure feels soft and comfortable, emphasising the open character of the new generation of products.

Standards, however, are also set beneath the smart outer skin. With its intuitive control system, extraordinary range of functions, and future-oriented connectivity, the mTripod redefines access control systems.



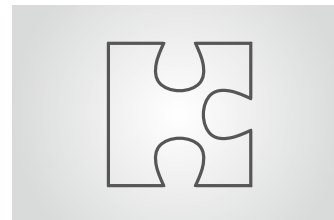
Award-winning design

mTripod's use in high-quality environments was a central focus during its development. The design, which has already won the German Design Award, blends in perfectly in modern architecture.



Comprehensive functions

Discreet illumination, interlocking to prevent unauthorised entry, drop-arm for maximum safety – the mTripod has numerous unique functions. Features such as error logging and a random generator are already part of the basic functionality.



Complete solutions

Magnetic offers you everything from a single source: mTripod pedestrian gate, the appropriate MPS swing gates for barrier-free access, and mGuide railing elements.



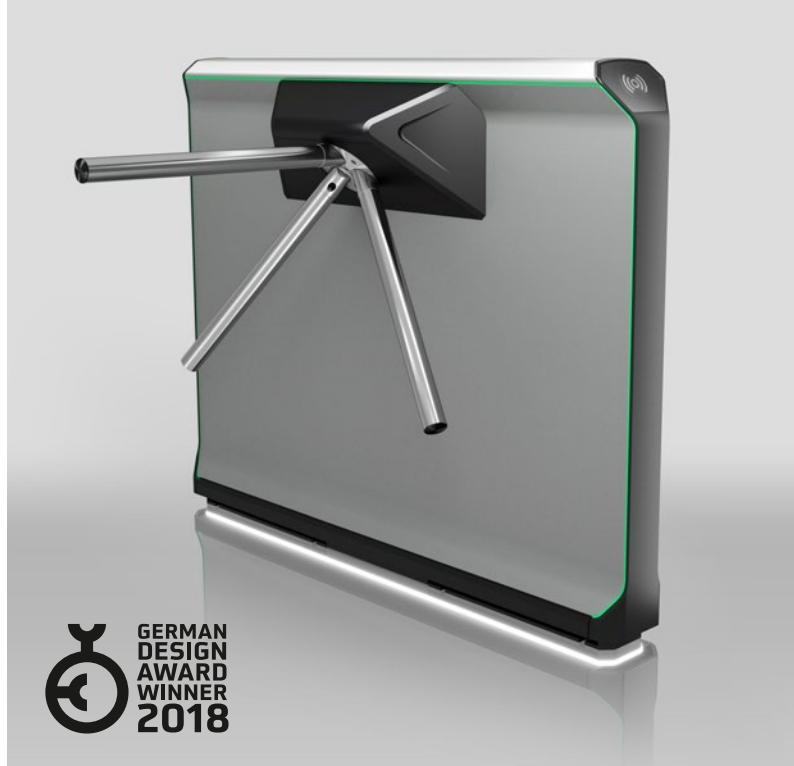
Direct control

The integrated display allows all settings to be made directly via the control system – without any adapter cable and notebook. System diversity and training expenditure are considerably reduced because we also use the MGC control system in our vehicle barriers.

mTripod

Turnstile



- > Revolutionary design, won German Design Award 2018
- > Extensive functions and intuitive operation
- > Drop-arm mechanism (optional) permits passage during power outages or alarms
- > Ethernet plug-in module for IP connection (optional)
- > Designed for 10,000,000 opening and closing cycles



Technical data	mTripod
Housing variants	Long
Application	Indoor and outdoor
Passage width	515 mm
Drive technology	MHTM™
Control system	MGC
Voltage	85–264 VAC, 50/60 Hz
Power consumption	Typical 30 W
Duty cycle	100 %
Housing material	mDure
Housing dimensions (L x W x H)	1300 x 290 x 1050 mm
Enclosure rating	IP 54
Weight	70 kg
Temperature range	-30 to +55 °C

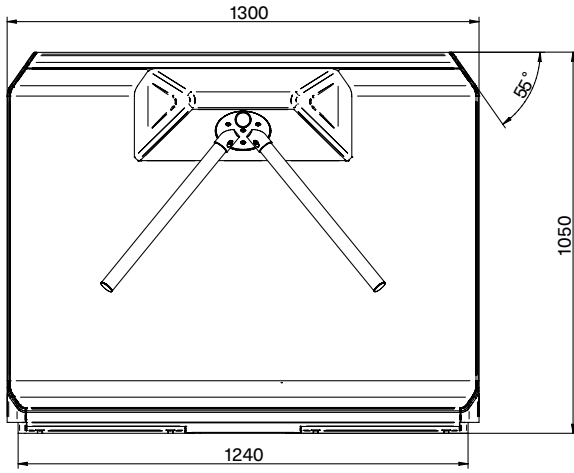
Equipment	
Standard colour	Basalt (sides) Anthracite (frame)
Direction of passage	Freely selectable
Emergency release	On power outage or closing of alarm contacts
Random generator	Integrated in control system
Throughput data acquisition and event log	Integrated in control system

Options	
Special colours	On request
Gate end display	✓
Floor illumination	✓
Frame edge illumination	✓
Drop-arm	✓
Warning on forced entry	✓
Interlock against forced entry	✓
Climb-over warning	✓
Crawl-under warning	✓
Ethernet connection	✓

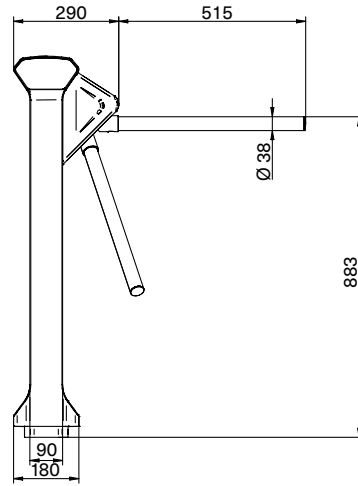
Potential applications	
	

Accessories	
Emergency button	For triggering the alarm contacts and unlocking the turnstile or initiating drop-arm process (optional)
Foundation frame	For integration in new buildings, height adjustable between 10 and 15 cm

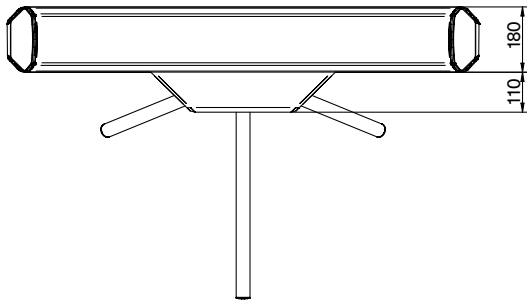
mTripod, view from side



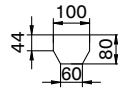
mTripod, view from front



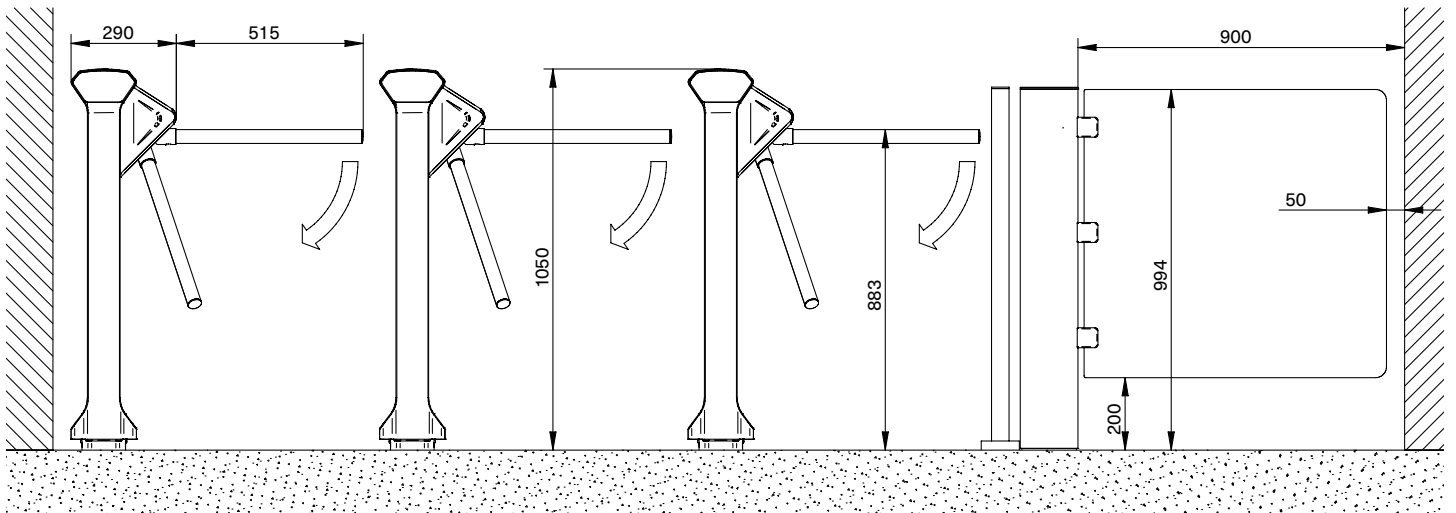
mTripod, view from above



Installation space for reading devices
(without passage indicator, mounting depth 40 mm)



Line configuration



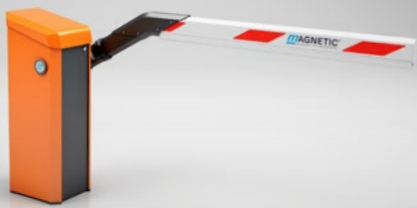
Space-saving combined applications can be easily implemented with mTripod thanks to its extremely slender design.

MPS swing gates can also be added to create wide passageways for barrier-free access.

The optically matching mGuide railing elements close structural gaps.

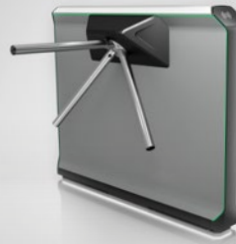
Access to Progress

Magnetic stands for pioneering products – in every way. Our access control systems for vehicles or pedestrians clear the way for thousands of people every day – at car parks, toll gates, stations, airports and in buildings. Our technology is also pioneering, however: with innovative drives, intelligent control systems and well thought-out details it provides maximum safety and longevity. Are you also on the path to Magnetic?



Vehicle barriers

Access barriers
Parking barriers
Toll barriers
Special barriers



Pedestrian gates

Turnstiles
Swing gates
Tripod gates
Retractable gates
Wing gates



Terminals

Cars
Trucks

Germany
MAGNETIC AUTOCONTROL GMBH
Grienmatt 20
79650 Schopfheim
Phone +49 7622 695-5
Fax +49 7622 695-800
E-mail info@magnetic-germany.com

Australia
MAGNETIC AUTOMATION PTY LTD
38 Metrolink Circuit
Campbellfield, VIC 3061
Phone +61 3 9339 2900
E-mail info@magnetic-oz.com

Austria
FAAC GMBH
Münchner Bundesstraße 123
5020 Salzburg
Phone +43 662 853395-0
E-mail at.info@faacgroup.com

Benelux countries
FAAC BENELUX NV/SA
Industriezone 3B
8490 Jabbeke
Belgium
Phone +32 50 320202
E-mail info@magnetic-benelux.com

Brazil
MAGNETIC AUTOCONTROL LTDA
Av. Salim Antônio Curiati, 136
04690-050 – São Paulo
Phone +55 11 5660 8500
E-mail info@magnetic-br.com

China
MAGNETIC CONTROL SYSTEMS CO., LTD
No. 3 Building, No. 51
Lane 1159, Kang Qiao (East) Road
Kang Qiao Industrial Zone, Shanghai
Phone +86 21 68182970
E-mail info@magnetic-cn.com

France
FAAC FRANCE
377 Rue Ferdinand Perrier
69808 St Priest Cedex
Phone +33 4 72 21 86 89
E-mail info@magnetic-fr.com

India
MAGNETIC AUTOCONTROL PVT LTD.
PRS Centre
Plot No. 373 to 376, 2nd Floor (West Wing)
1st Cross Street, Nehru Nagar
Old Mahabalipuram Road
Kottivakkam (Opp Rayala Technopark, Perungudi)
Chennai 600041
Phone +91 44 421 23297
E-mail info@magnetic-india.com

Middle East
FAAC MIDDLE EAST FZE
Dubai Silicon Oasis
PO Box 54886
Dubai
United Arab Emirates
Phone +971 4 3724193
E-mail info@magnetic-uae.com

N. and S. America (excl. Brazil)
FAAC INTERNATIONAL, INC
3160 Murell Road
Rockledge, FL 32955
USA
Phone +1 321 635 8585
E-mail info@magnetic-usa.com

Scandinavia
FAAC NORDIC AB
Box 125
284 22 Perstorp
Sweden
Phone +46 435 77 95 03
E-mail info@magnetic-nordic.com

Southeast Asia
MAGNETIC CONTROL SYSTEMS SDN. BHD
No. 17, Jalan Anggerik Mokara 31/54
Taman Perindustrian Kota Kemuning
40460 Shah Alam
Selangor Darul Ehsan
Malaysia
Phone +60 3 5123 0033
E-mail info@magnetic-malaysia.com